

VIEW^{v.1.0}

Play Video



en.nooraneh.com/installation-video/

Installation Manual for view Series Luminaires



WEST PADIDAR ST, ALEF SQUARE,
ZAFARANIEH, TEHRAN, IRAN.
TEL & FAX: (+98) 02179924
EMAIL: sales@nooraneh.com



Factory: Jey Industrial Area, Isfahan



Dear Customer, thank you for your purchase and trust. Please read and review the instruction .manual before opening the product packaging

Features of view

- ① High-efficiency SMD LED modules
- ① high degree of protection (IP68) and high impact resistance
- ① Body made of extruded aluminum profile with electrostatic powder coating in custom colors
- ① LED modules with a lifespan of over 50,000 hours
- ① Electronic driver with efficiency above 95% and
- ① power factor of 0.97

Warnings



Installation and use must be performed only by a qualified technician.



Power must be disconnected before installation. Follow international and safety standards.



All products come with a 5-year warranty covering the quality of the components and the quality level of the light output.



The manufacturer is not responsible for damage caused by improper installation or usage.



Only the manufacturer, their representatives, or certified personnel may replace or modify the light source.



A separate electrical panel with full protection systems must be used for power supply,



Avoid compressing or striking the product during transport and storage



During construction work like welding, lights must be off or stabilized to avoid



Do not touch the LED module directly or strike it.



The fixture must only be powered through its provided driver; using a different driver or direct power connection may cause damage.



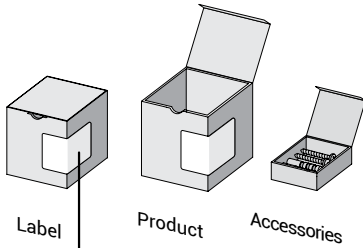
No drilling, cutting, or modification of the lighting electrical system is required. Avoid impact or pressure on the diffuser and luminaire body.



The luminaire operates safely at very low voltage and does not require grounding of the power driver.



For any further questions or information, please contact NOORANEH's after-sales service.



Packaging:

The carton has lids at both the front and rear ends. Carton length varies according to the ordered dimensions.

The package contains the product, installation accessories, the instruction manual, and the installation diagram.

Product Name & Code	Customer Name	Installation Type
	Product Description	
Voltage	product quantity	Lifespan
Light Meter Code		
Quality Grade		Ingress protection

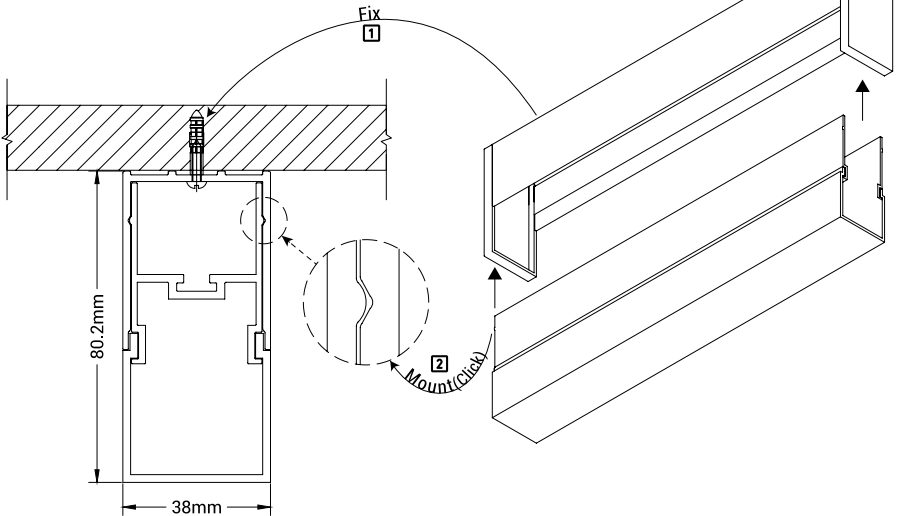
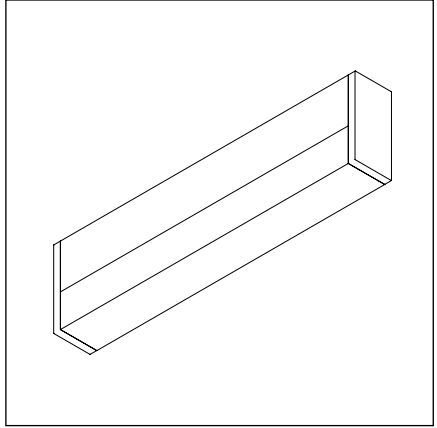
Specification Label

All necessary information for complete product identification is provided on the label. The label is affixed to the carton body.

view Installation Guide

Surface Mounted

PM



0 2 1 - 7 9 9 2 4

sales@nooraneh.com

[nooraneh_lighting](#)

www.nooraneh.com

