



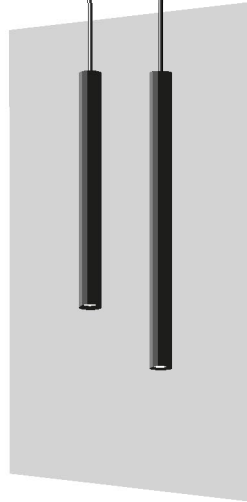
**NOORANEH**  
LIGHTING

SINCE  
1975

Installation guide

# SILVA

Silva — v 1.0



Play Video

[en.nooraneh.com/installation-video](https://en.nooraneh.com/installation-video)

Installation Manual for Silva Series Luminaires / Diameters: 60 ,40, and 90 mm



WEST PADIDAR ST, ALEF SQUARE,  
ZAFARANIEH, TEHRAN, IRAN.  
TEL & FAX: (+98) 02179924  
EMAIL: sales@nooraneh.com



Factory: Jey Industrial Area, Isfahan

## **Index**

Features and Components of silva Luminaires .....	1
Warnings.....	3
Packaging and Label .....	4
Installation of Surface-Mounted Mode.....	5
Installation of Pendant Mode.....	7



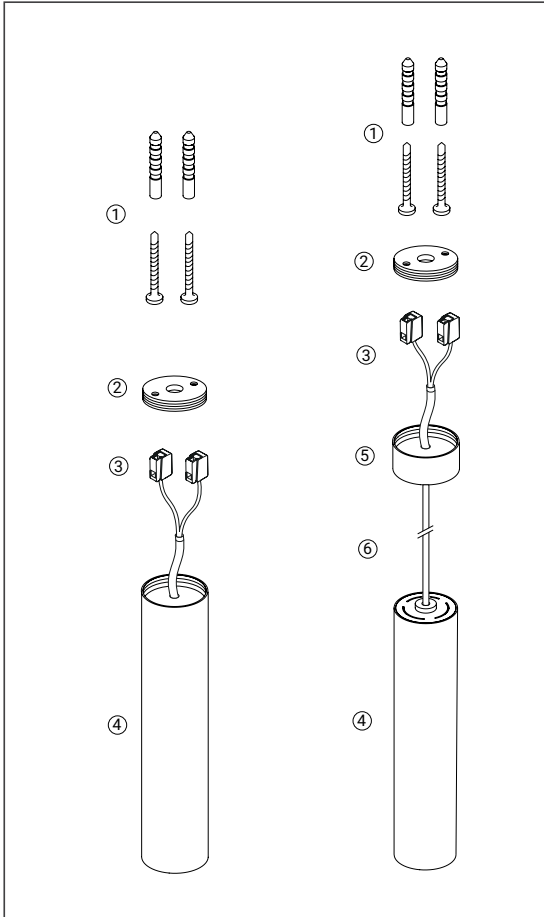
---

**Dear Customer, thank you for your purchase and trust. Please read and review the instruction .manual before opening the product packaging**

---

### **Features of Silva**

- ❶ Available in diameters of 60 ,40, and 90 mm
- ❶ Customizable in various lengths and colors
- ❶ Uses high-efficiency COB LED modules
- ❶ Body made of extruded aluminum with electrostatic powder coating
- ❶ COB LED modules with a lifespan exceeding 50,000 hours
- ❶ Electronic driver with efficiency over %95 and a power factor of > 0.9
- ❶ Available with multiple beam angles (°30 ,°20, and °50)



## Warnings



Installation and use must be performed only by a qualified technician.



Power must be disconnected before installation. Follow international and safety standards.



All products come with a -5year warranty covering the quality of the components and the quality level of the light output.



The manufacturer is not responsible for damage caused by improper installation or usage.



Only the manufacturer, their representatives, or certified personnel may replace or modify the light source.



A separate electrical panel with full protection systems must be used for power supply,



Avoid compressing or striking the product during transport and storage



During construction work like welding, lights must be off or stabilized to avoid



Do not touch the LED module directly or strike it.



The fixture must only be powered through its provided driver; using a different driver or direct power connection may cause damage.



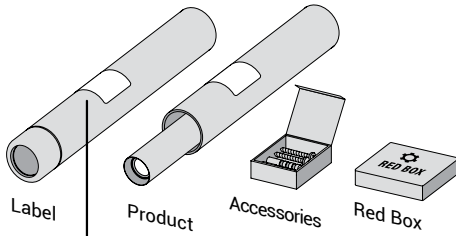
No drilling, cutting, or modification of the lighting electrical system is required. Avoid impact or pressure on the diffuser and luminaire body.



The luminaire operates safely at very low voltage and does not require grounding of the power driver.

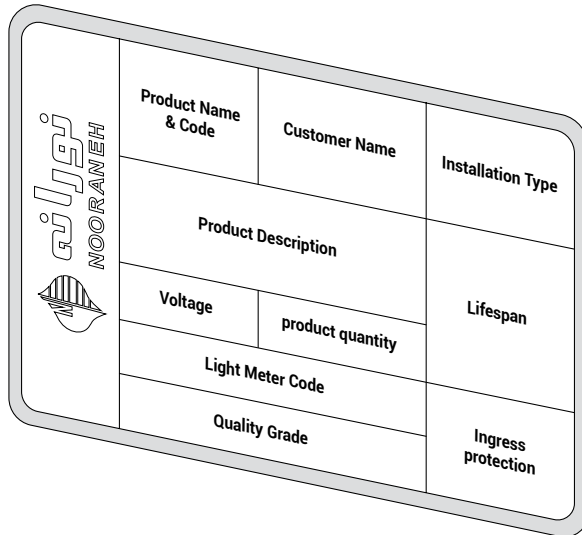


For any further questions or information, please contact NOORANEH's after-sales service.



### Packaging:

The carton opens from the front. The length of the carton varies depending on the order dimensions. The product packaging includes the item itself, the installation accessories, and the user manual.



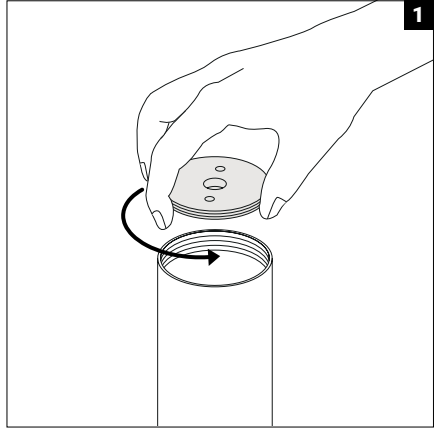
### Specification Label

All necessary information for complete product identification is provided on the label. The label is affixed to the carton body.

Silva Light Installation Guide

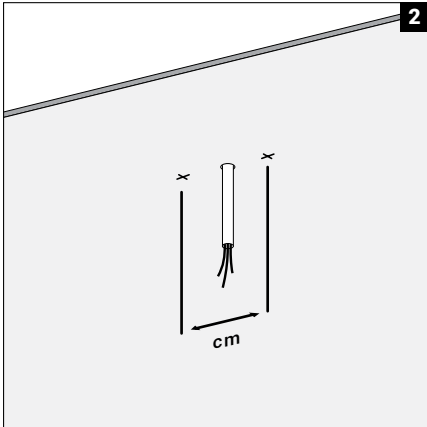
# Surface Mounted

PC



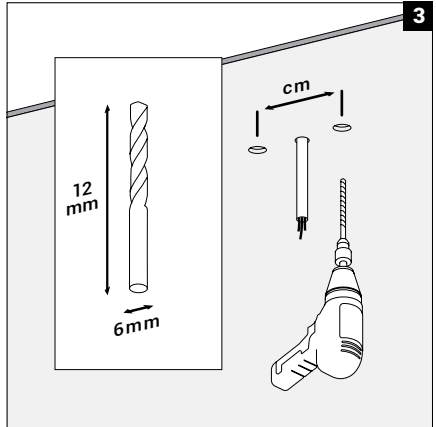
## 1. Removing the End Cap

Rotate the rear end cap counterclockwise and remove it from the luminaire body.



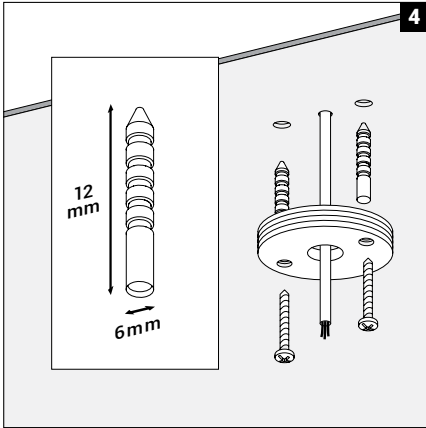
## 2. Marking

Mark the installation location on the ceiling according to the size and mounting hole spacing of the rear end cap.



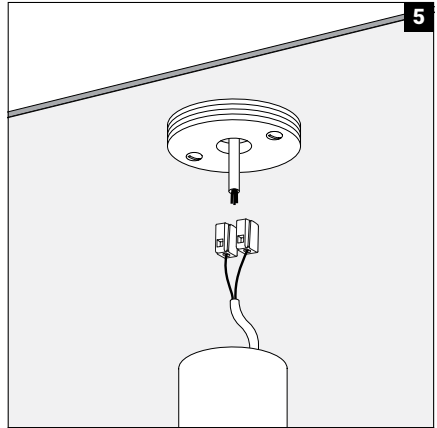
## 3. Drilling the Ceiling

Drill the marked locations using an appropriate drill bit.



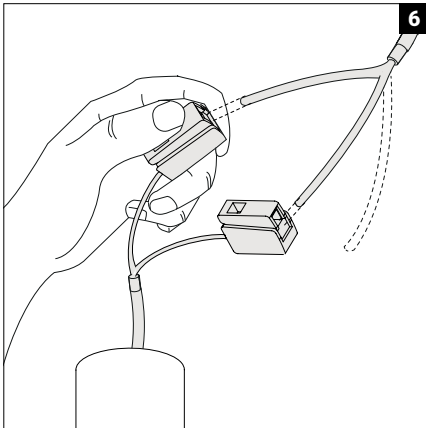
#### 4. Fixing the End Cap to the Ceiling

Pass the incoming power cable (220V) through the center hole of the end cap and secure it to the ceiling using suitable fasteners.



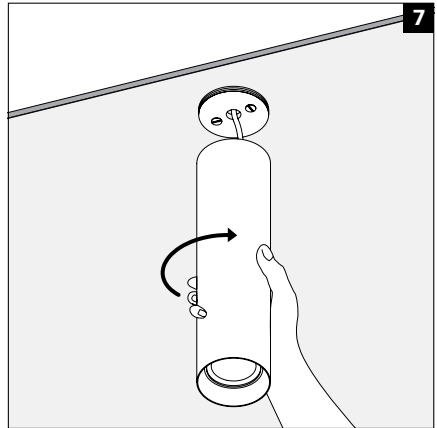
#### 5-1. Connecting the Power Cable

Connect the terminal block to the building power cable.



#### 5-2. How to Connect Power Cable

Connect the terminal to the power cable by firmly pressing it into place.



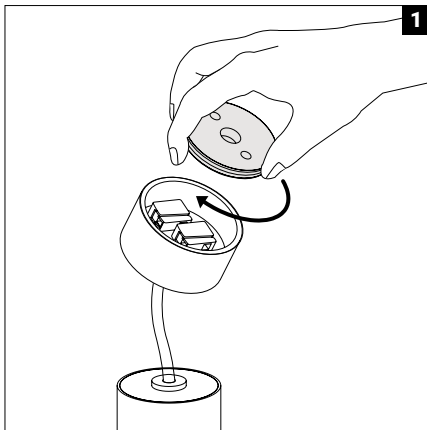
#### 6. Attaching the Luminaire to the End Cap

Rotate the luminaire body clockwise onto the end cap until it is fully secured.

## Silva Light Installation Guide

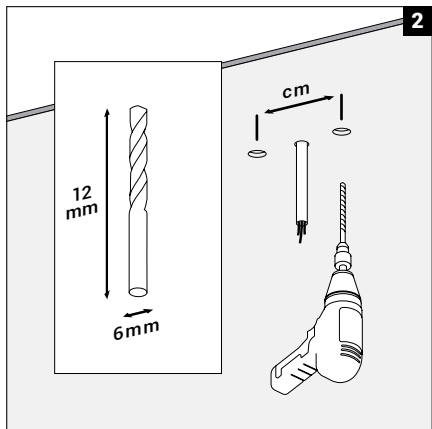
# Pendant

PCp



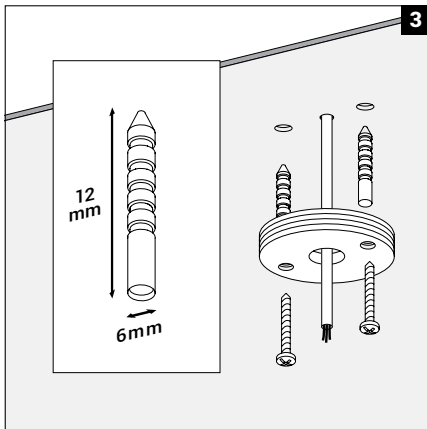
### 1. Removing the End Cap

Rotate the rear end cap counterclockwise and remove it from the luminaire body.



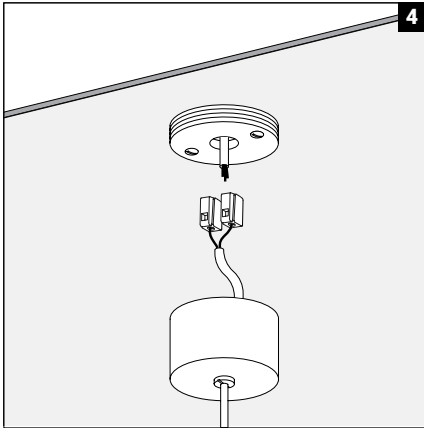
### 2. Drilling the Ceiling

Drill the marked locations using an appropriate drill bit.



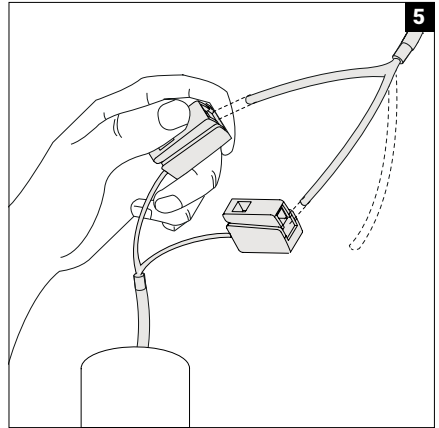
### 3. Fixing the End Cap to the Ceiling

Pass the incoming power cable (220V) through the center hole of the end cap and secure it to the ceiling using appropriate fasteners.



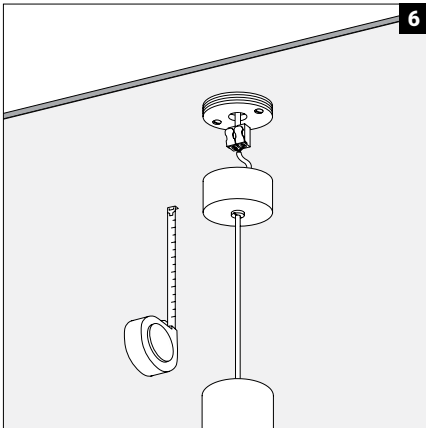
#### 4-1. Connecting the Power Cable

Connect the building's incoming power cable to the terminal inside the luminaire.



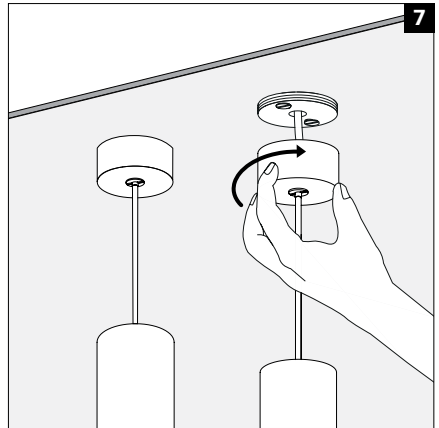
#### 4-2. How to Connect the Power Cable

The terminal block is connected to the building power cable by firmly pressing it into place.



#### 5. Adjusting the Suspension Cable

Adjust the suspension cable to the required length.



#### 6. Attaching the Luminaire to the Ceiling Cap

Rotate the cable gripper cylinder clockwise onto the ceiling canopy until it is fully secured.

021-88839700  
sales@nooraneh.com  
nooraneh\_lighting  
www.nooraneh.com

