

PICO^{v.1.0}

Play Video



en.nooraneh.com/installation-video/

Installation Manual for Pico Series Luminaires



WEST PADIDAR ST, ALEF SQUARE,
ZAFARANIEH, TEHRAN, IRAN.
TEL & FAX: (+98) 02179924
EMAIL: sales@nooraneh.com



Factory: Jey Industrial Area, Isfahan



Dear Customer, thank you for your purchase and trust. Please read and review the instruction .manual before opening the product packaging

Features of Pico

Available in single, double, and quadruple models

- ① Uses the advanced focal point lens
- ① Uses high-efficiency COB LED modules
- ① Body made of extruded aluminum with
- ① electrostatic powder coating

COB LED modules with a lifespan exceeding

- ① 50,000 hours

Electronic driver with efficiency over %95 and a

- ① power factor of > 0.9

Available with multiple beam angles

- ①

Warnings



Installation and use must be performed only by a qualified technician.



Power must be disconnected before installation. Follow international and safety standards.



All products come with a -5year warranty covering the quality of the components and the quality level of the light output.



The manufacturer is not responsible for damage caused by improper installation or usage.



Only the manufacturer, their representatives, or certified personnel may replace or modify the light source.



A separate electrical panel with full protection systems must be used for power supply,



Avoid compressing or striking the product during transport and storage



During construction work like welding, lights must be off or stabilized to avoid



Do not touch the LED module directly or strike it.



The fixture must only be powered through its provided driver; using a different driver or direct power connection may cause damage.



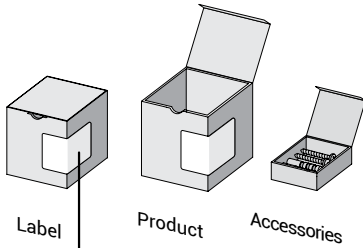
No drilling, cutting, or modification of the lighting electrical system is required. Avoid impact or pressure on the diffuser and luminaire body.



The luminaire operates safely at very low voltage and does not require grounding of the power driver.



For any further questions or information, please contact NOORANEH's after-sales service.



Packaging:

The carton opens from the front. The product packaging includes the item itself, the installation accessories, and the user manual.

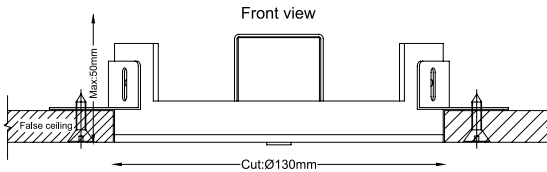
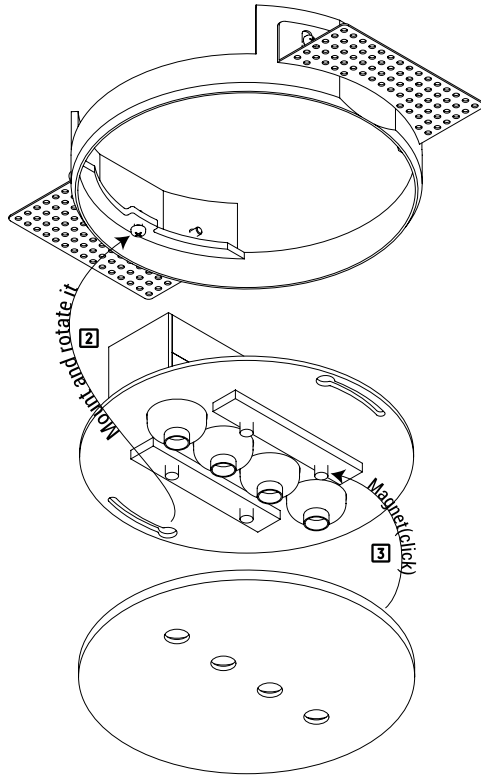
Product Name & Code	Customer Name	Installation Type
	Product Description	
Voltage	product quantity	Lifespan
Light Meter Code		
Quality Grade		Ingress protection

Specification Label

All necessary information for complete product identification is provided on the label. The label is affixed to the carton body.

Recessed

PMI



1 Fixed to false ceiling

0 2 1 - 7 9 9 2 4

sales@nooraneh.com

[nooraneh_lighting](#)

www.nooraneh.com

