



# ECHO

**Installation Help**



### Warranty terms

The safety, proper performance, and warranty of the luminaire are guaranteed only if installation is carried out by an authorised technician in accordance with the instructions provided in this manual.

For full warranty terms and conditions, please visit the NEXO website.



### Warnings

Installation and use must be performed only by a qualified technician.

For more information, contact Nooraneh after-sales service.

The low-voltage lighting system does not require a grounding connection to the driver.

No need for drilling, cutting, or modifying the electrical system.

The fixture must only be powered through its provided driver; using a different driver or direct power connection may cause damage.

Do not touch the LED module directly or strike it.

During construction work like welding, lights must be off or stabilized to avoid damaging the driver or electrical components.

Avoid compressing or striking the product during transport and storage.

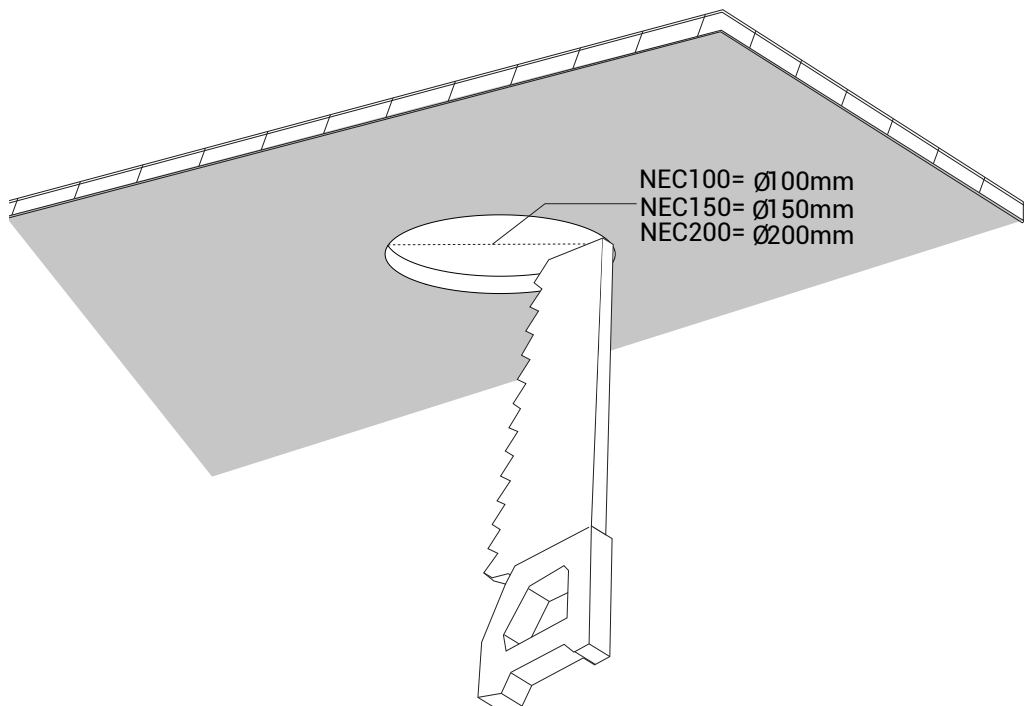
A separate electrical panel with full protection systems must be used for power supply, especially in areas with heavy motor loads.

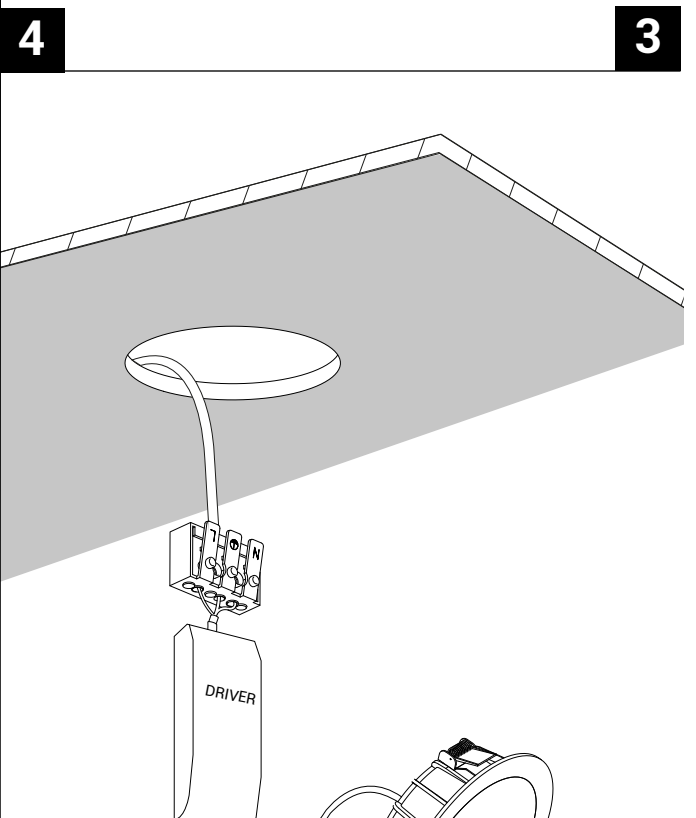
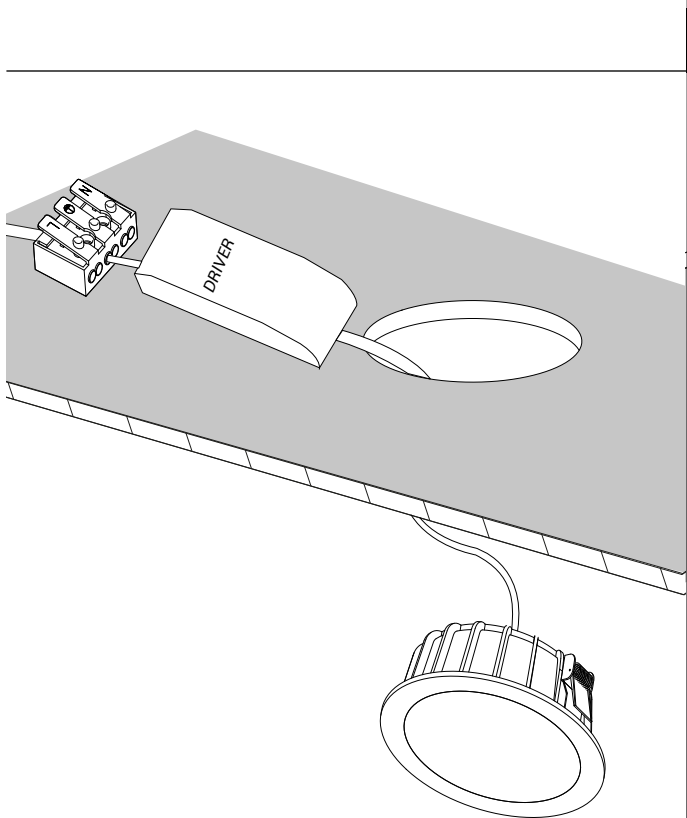
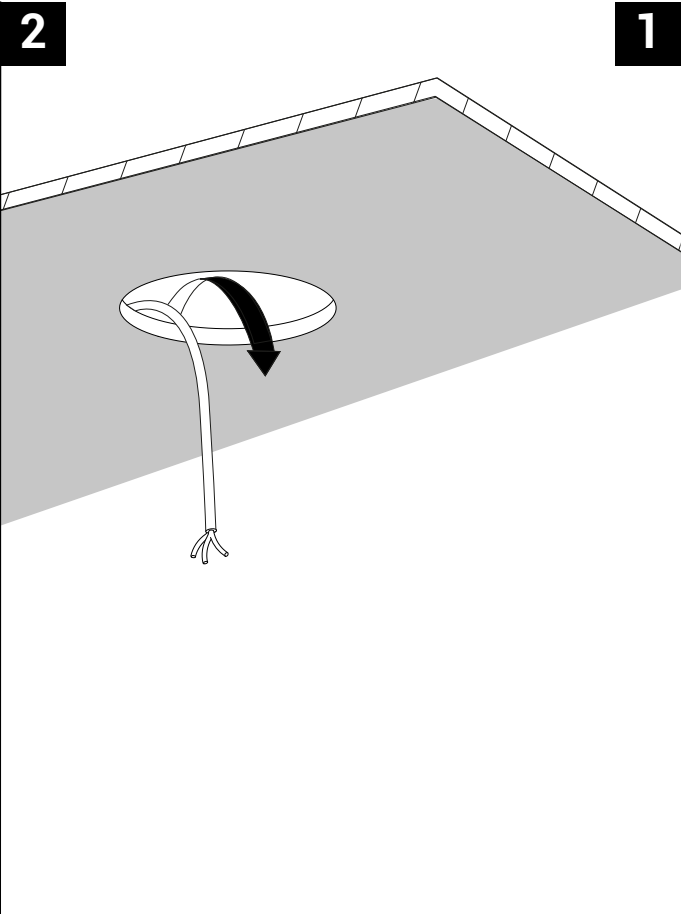
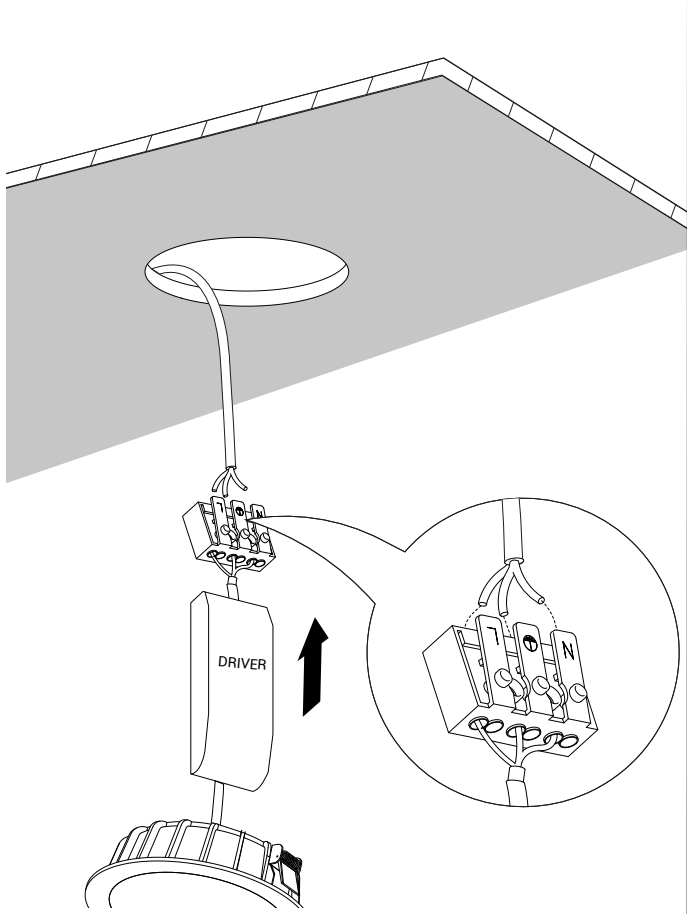
Only the manufacturer, their representatives, or certified personnel may replace or modify the light source.

The manufacturer is not responsible for damage caused by improper installation or usage.

All products include a -5year warranty covering component and light quality.

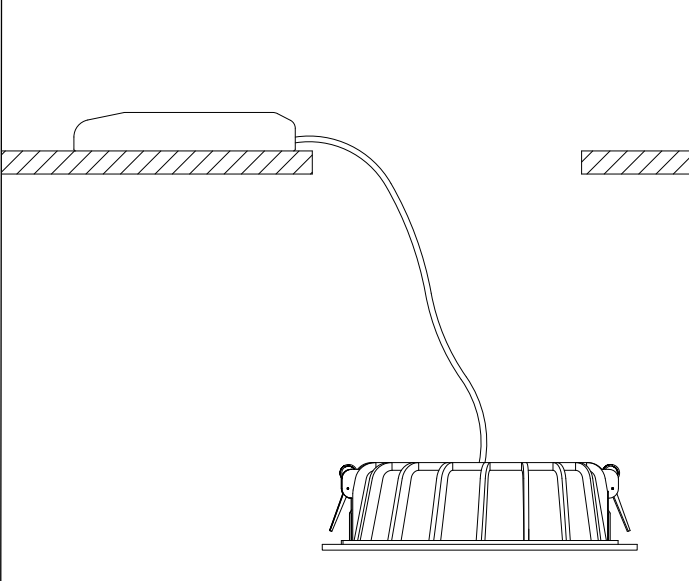
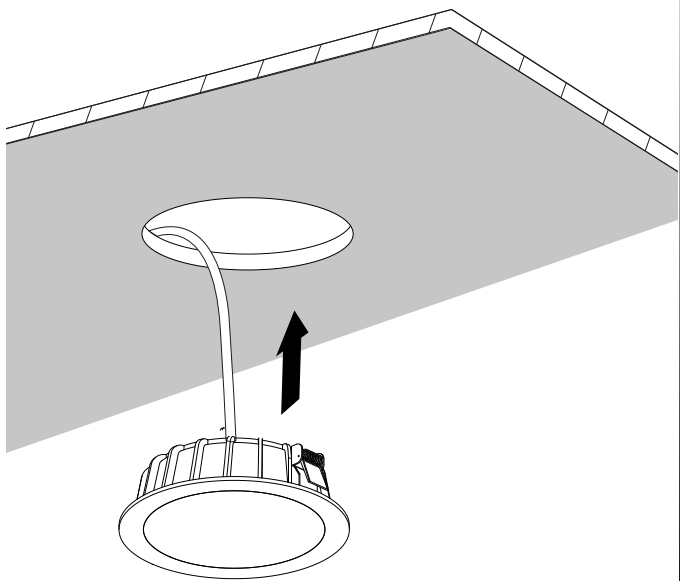
Power must be disconnected before installation. Follow international and safety standards.





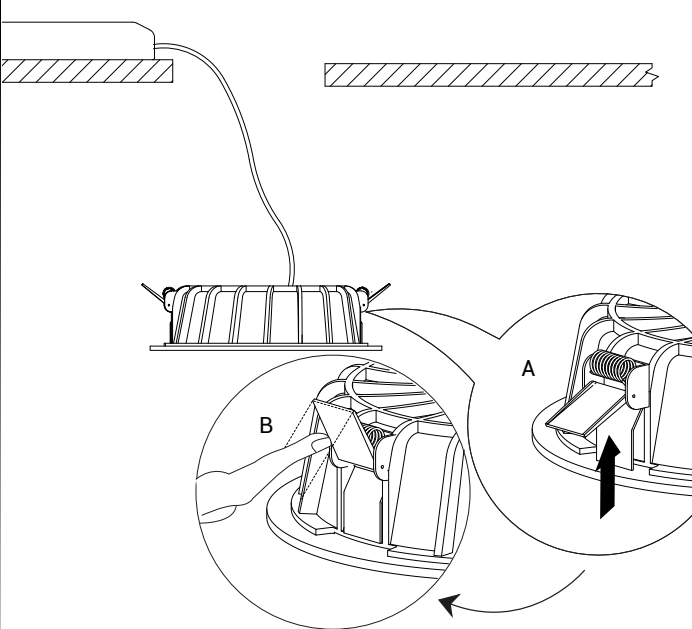
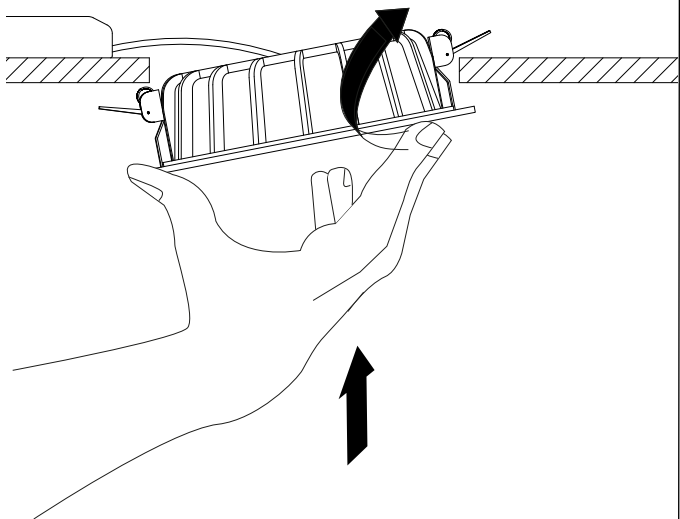
6

5



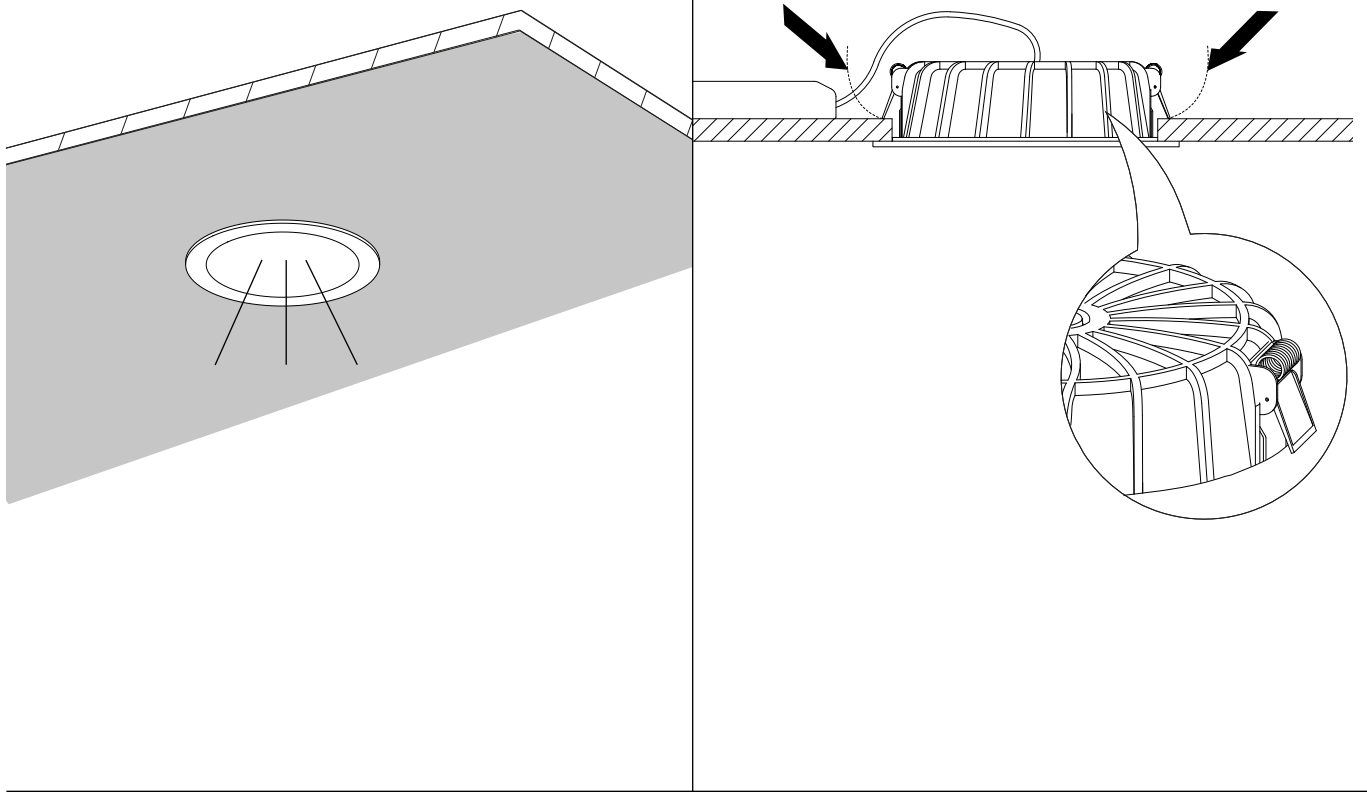
8

7



10

9



 **Technical support**  
021 - 79924  
en.nooraneh.com