



# ECHO

## **Installation Help**



### Warranty terms

The safety, proper performance, and warranty of the luminaire are guaranteed only if installation is carried out by an authorised technician in accordance with the instructions provided in this manual.

For full warranty terms and conditions, please visit the NEXO website.



### Warnings

Installation and use must be performed only by a qualified technician.

Power must be disconnected before installation. Follow international and safety standards.

The manufacturer is not responsible for damage caused by improper installation or usage.

Only the manufacturer, their representatives, or certified personnel may replace or modify the light source.

Avoid compressing or striking the product during transport and storage.

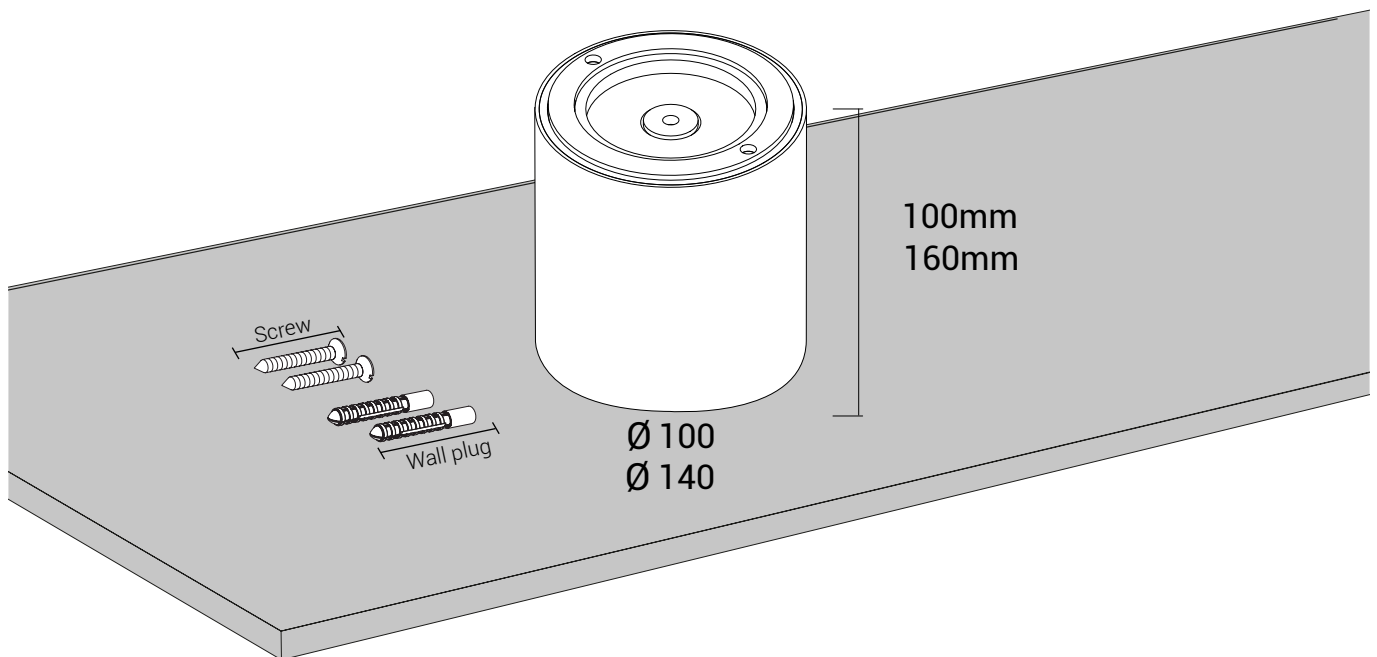
A separate electrical panel with full protection systems must be used for power supply, especially in areas with heavy motor loads.

During construction work like welding, lights must be off or stabilized to avoid damaging the driver or electrical components.

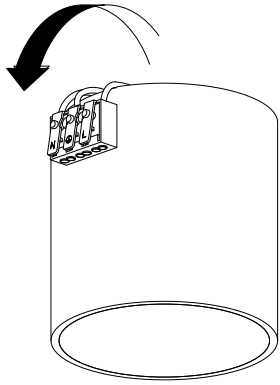
Do not touch the LED module directly or strike it.

The fixture must only be powered through its provided driver; using a different driver or direct power connection may cause damage.

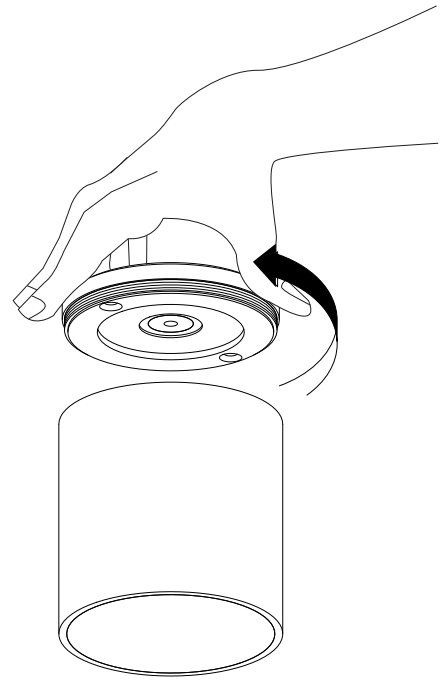
The luminaire operates safely at very low voltage and does not require grounding of the power driver.



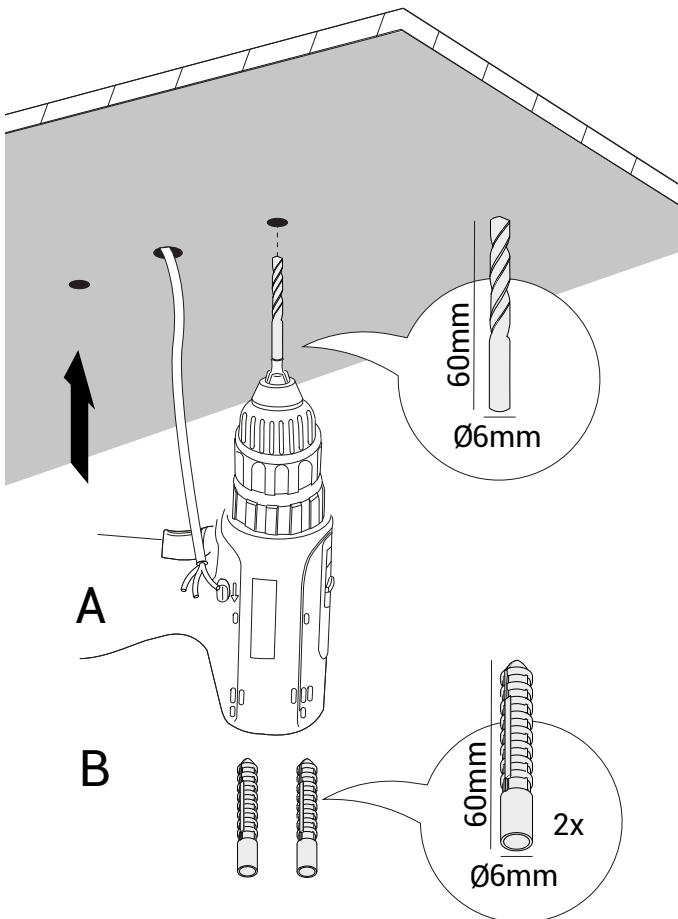
2



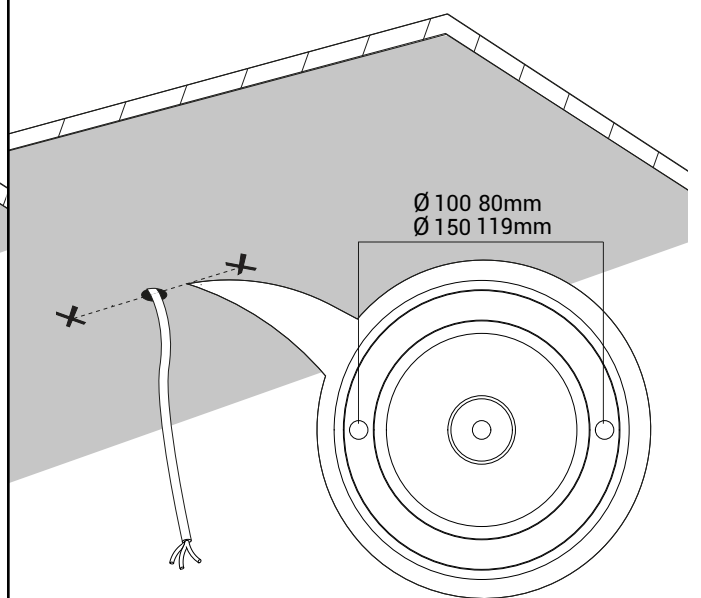
1



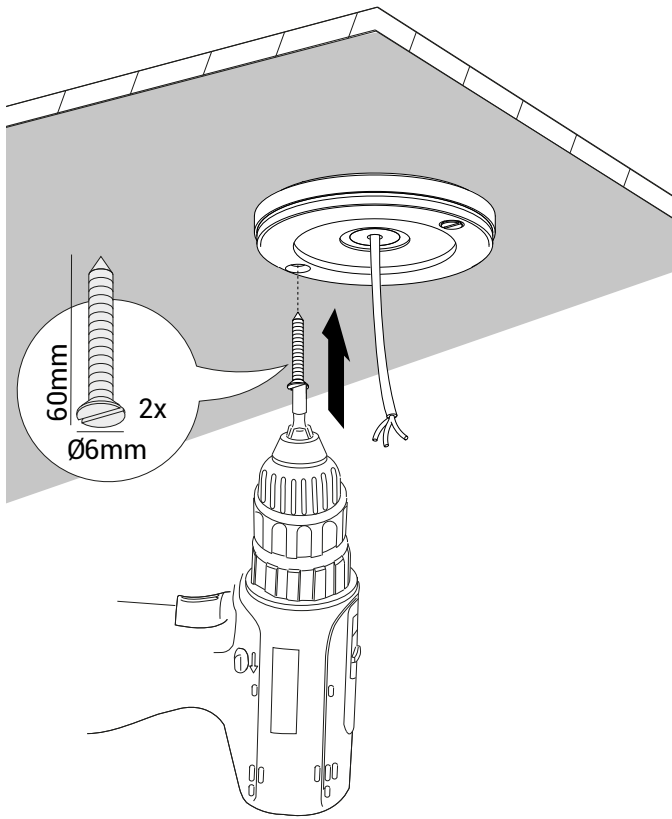
4



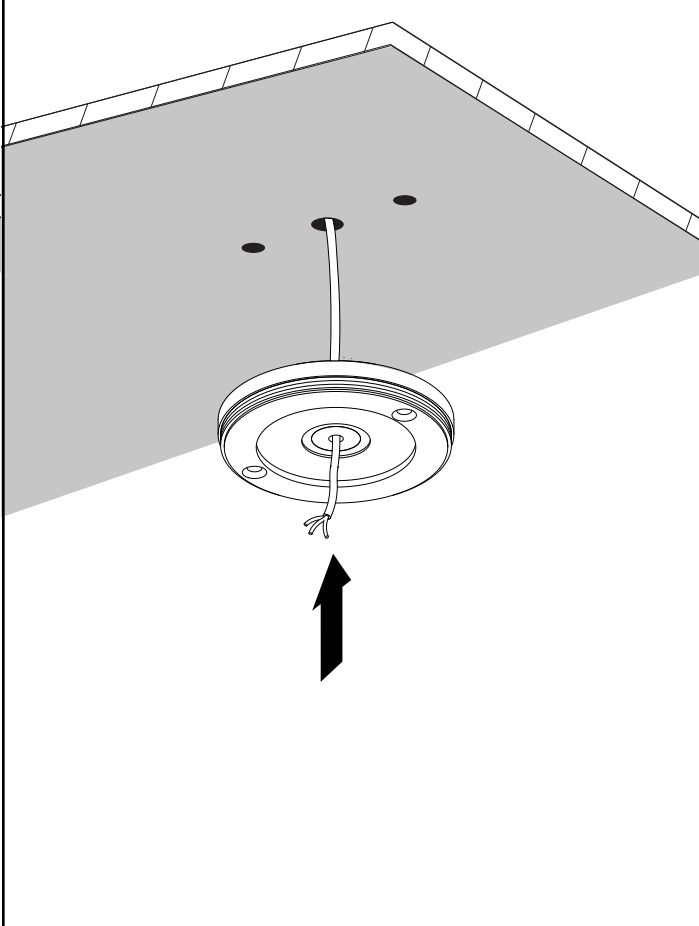
3



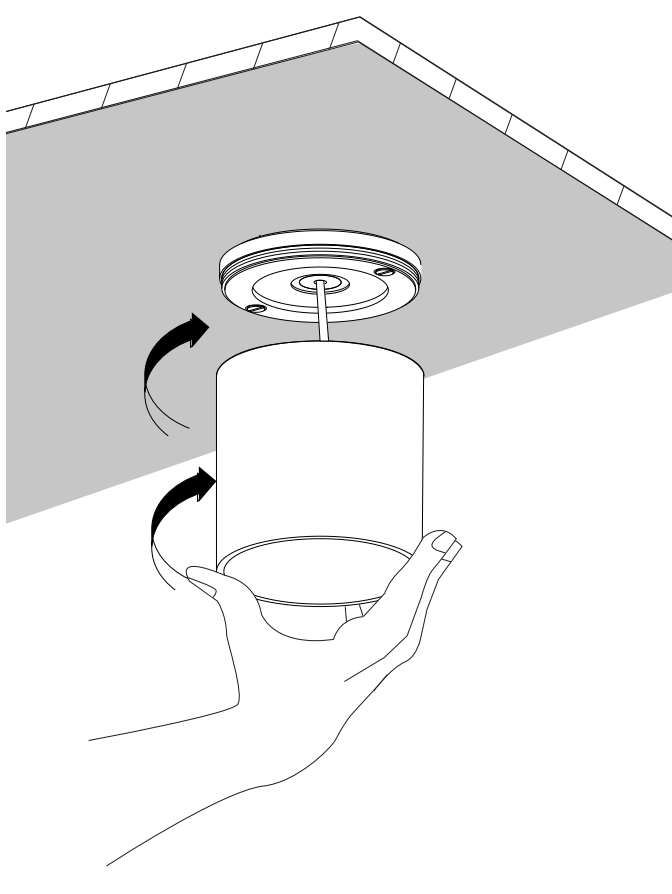
6



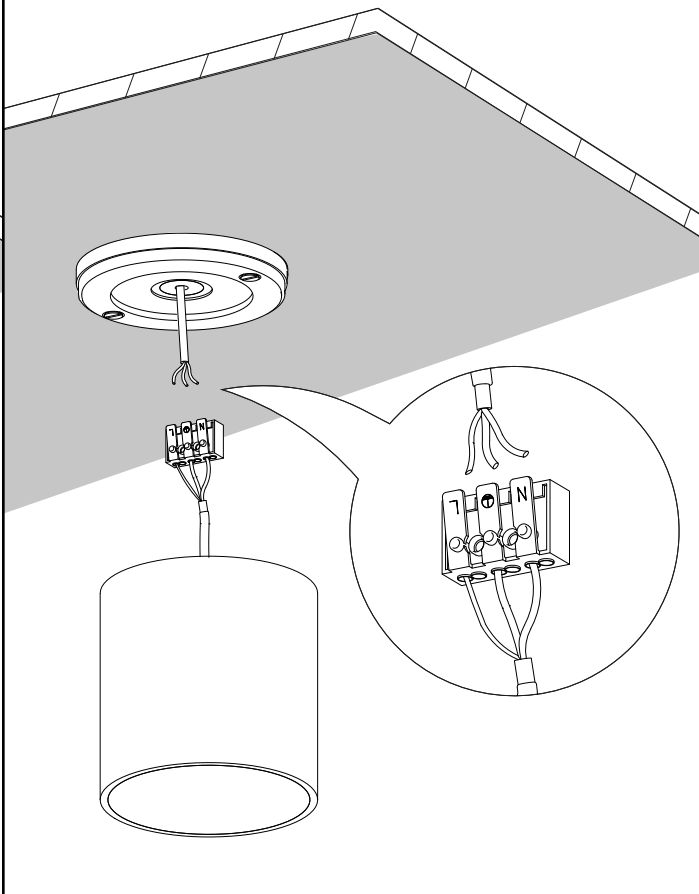
5

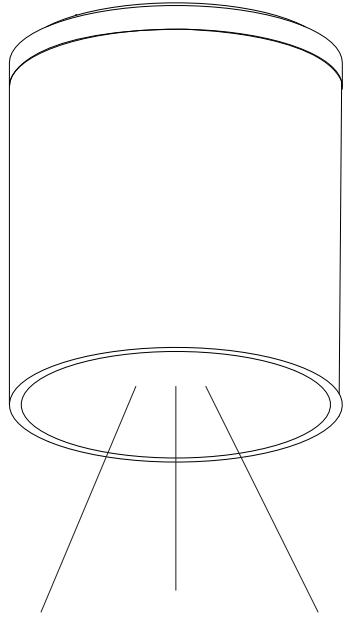


8



7





---



**Technical  
support**  
021 - 79924  
[en.nooraneh.com](http://en.nooraneh.com)

---